



FLIP-Classic B-L20

**Dimension:**

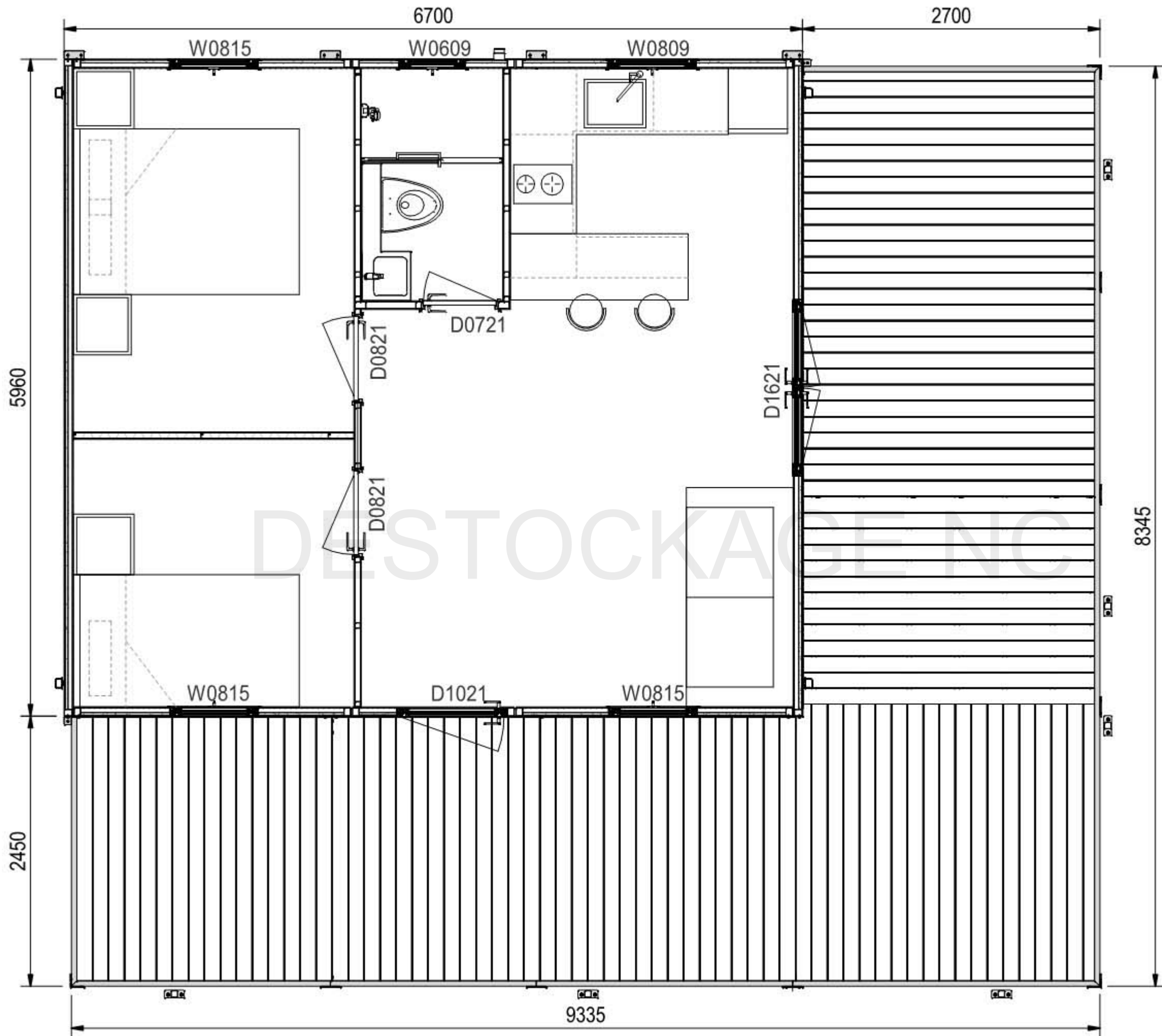
- House dimension (L\*W\*H): 5960mm\*6700mm\*2548mm
- Packing size (L\*W\*H): 5960mm\*2300mm\*2548mm
- Clear height: 2350mm
- Area: 39.8m<sup>2</sup>

**Loading:**

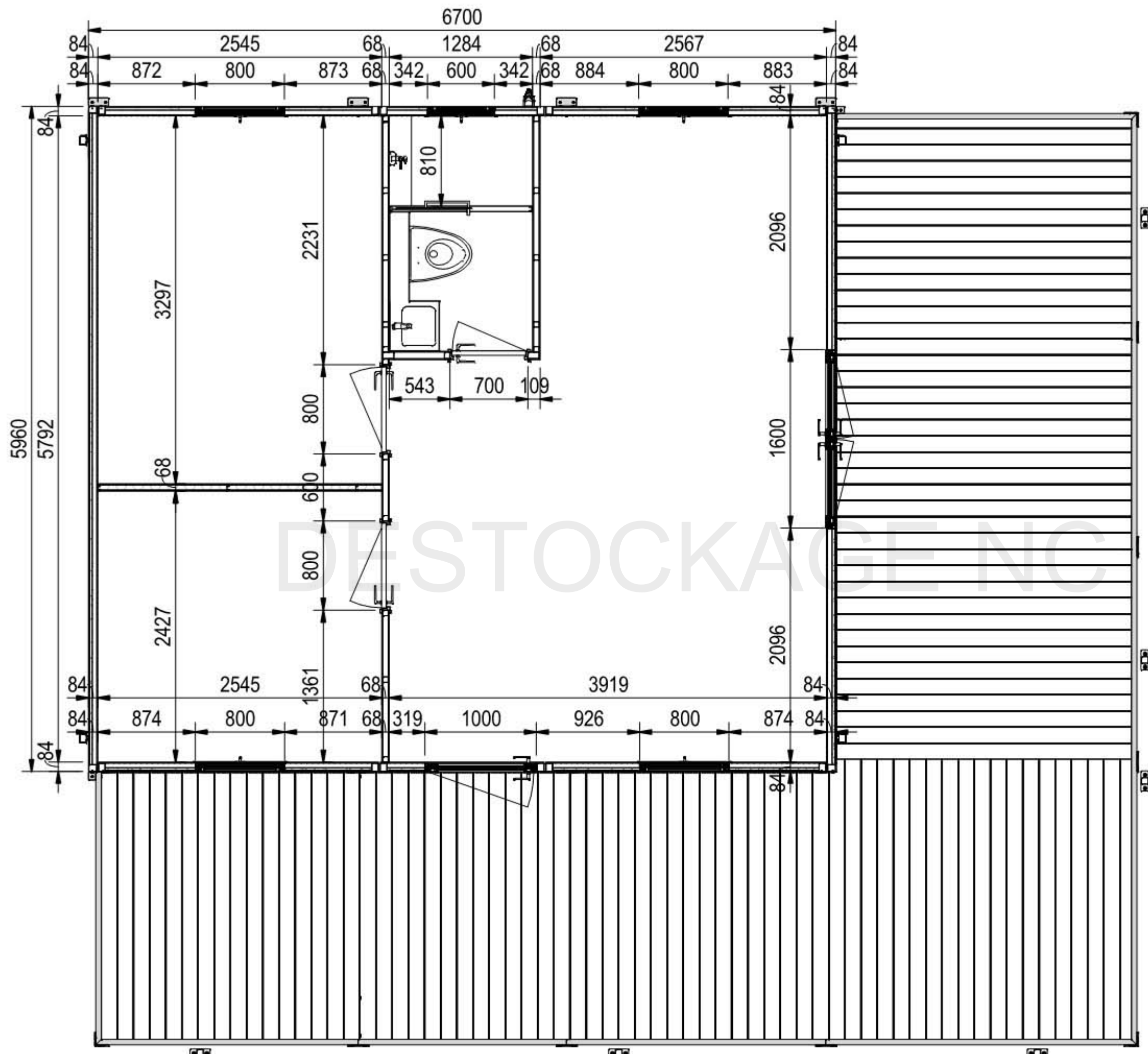
- |   |   |
|---|---|
| • Wind load: 1.5KN/M <sup>2</sup>       | Snow load: 1.0KN/M <sup>2</sup>           |
| • Floor live load: 2.0KN/M <sup>2</sup> | Bathroom floor load: 2.5KN/M <sup>2</sup> |
| • Roof dead load: 0.5KN/M <sup>2</sup>  | Roof live load: 1.0KN/M <sup>2</sup>      |

**Specification:**

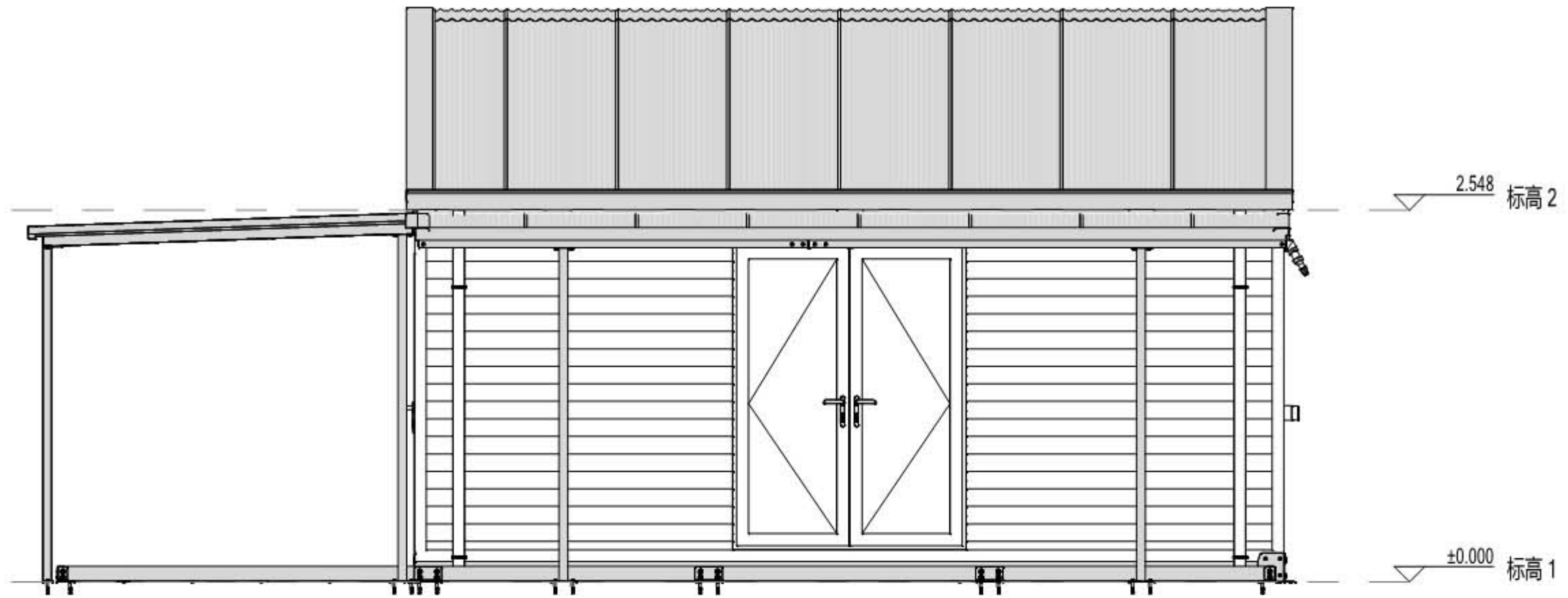
- R value of house: 20 ft<sup>2</sup>·hr·F/BTU
- Fire resisting: 1.0H
- Sound insulation : ≥45db



Layout plan



Layout dimension

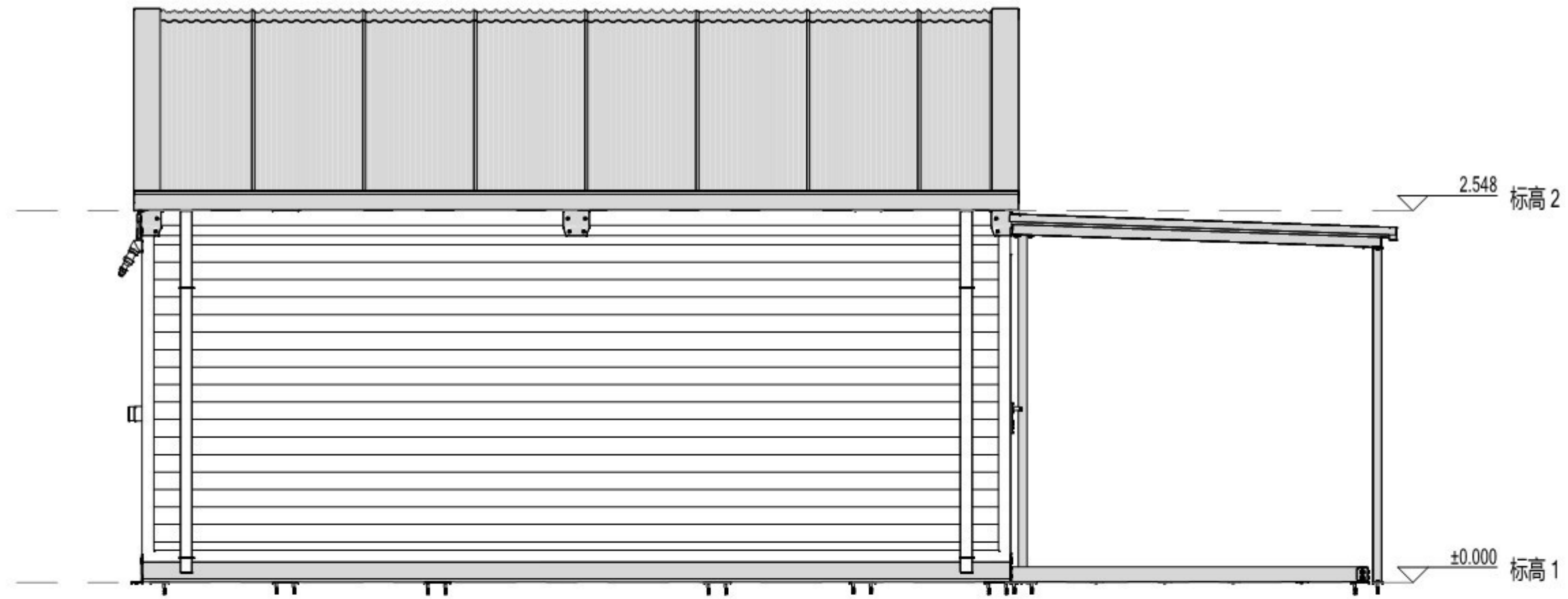


East elevation

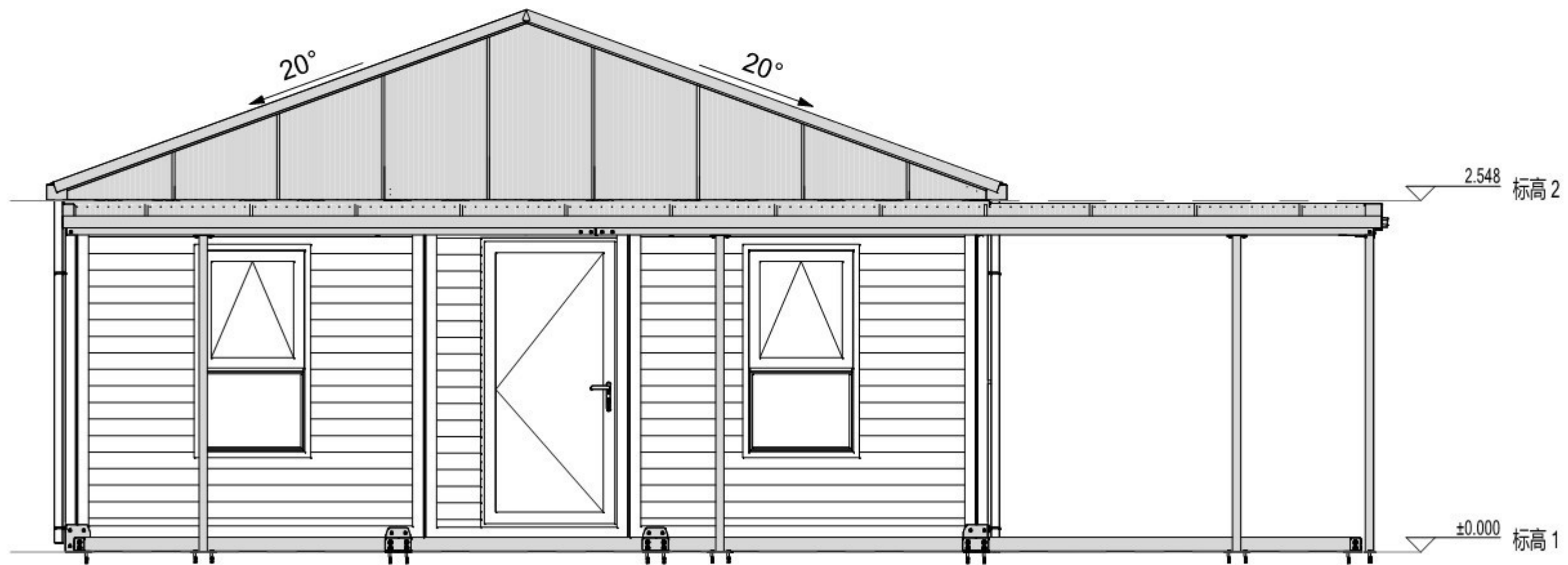
DESTOCKAGE NC



North elevation



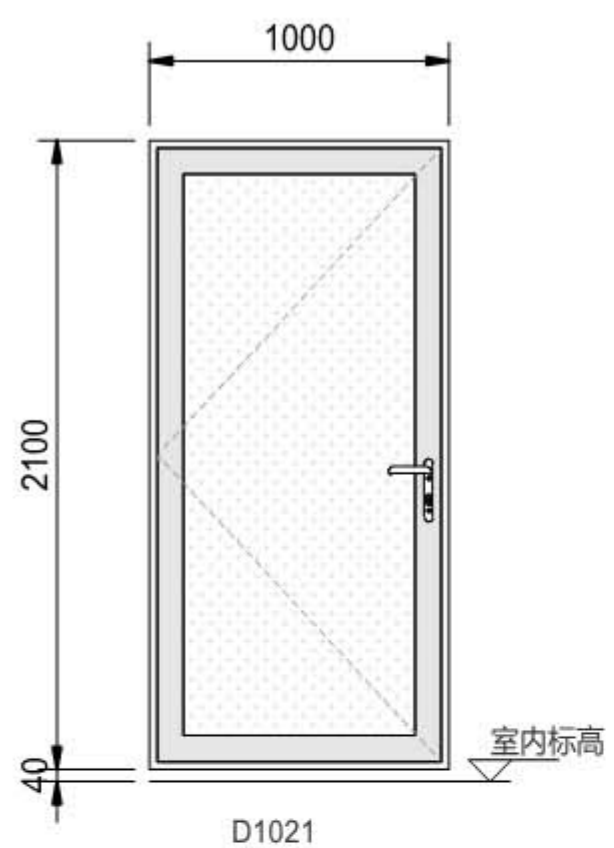
West elevation



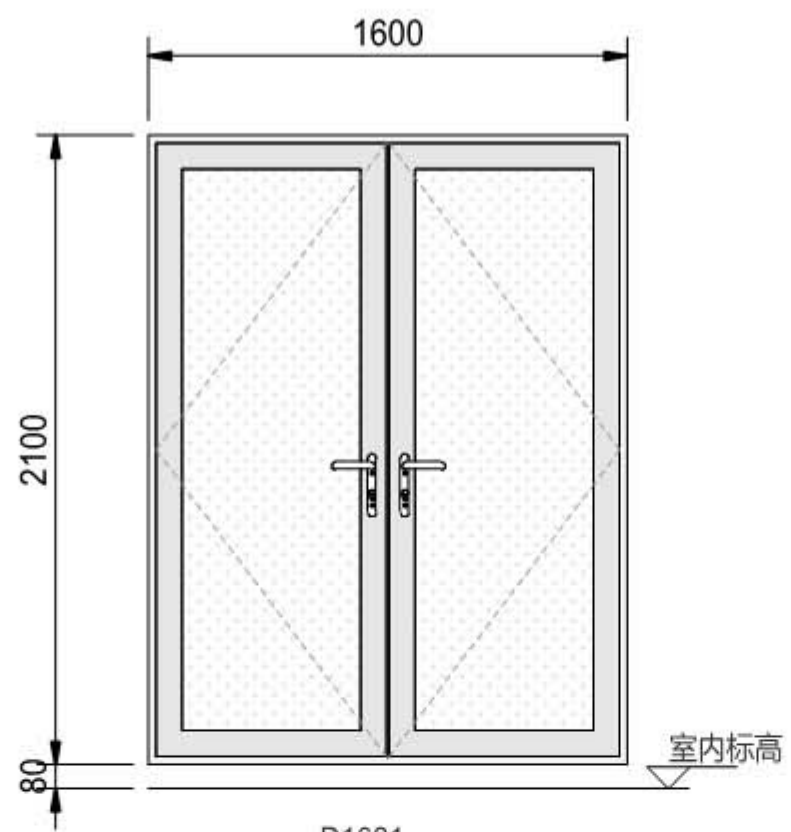
South elevation



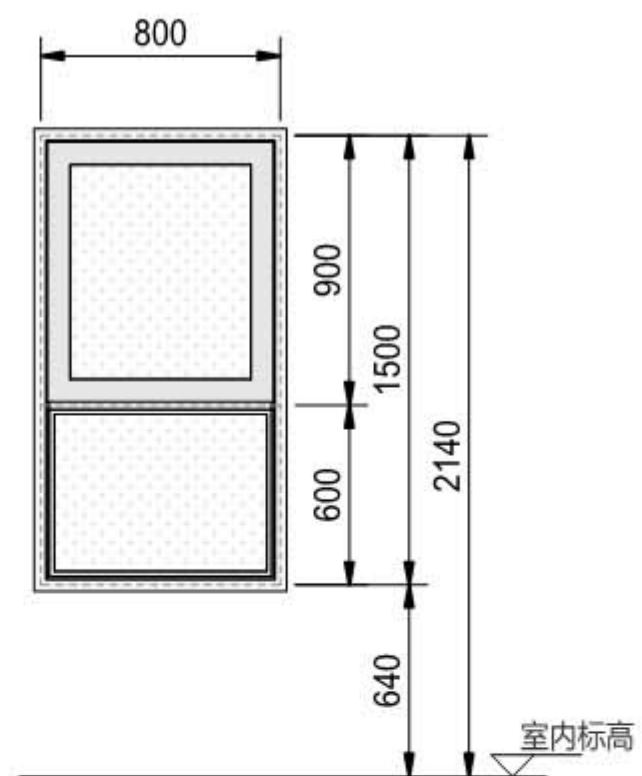




D1021

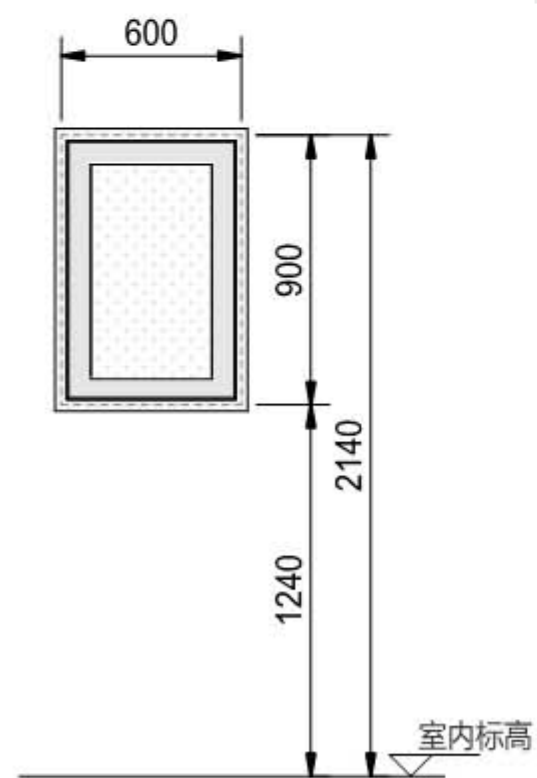


D1621

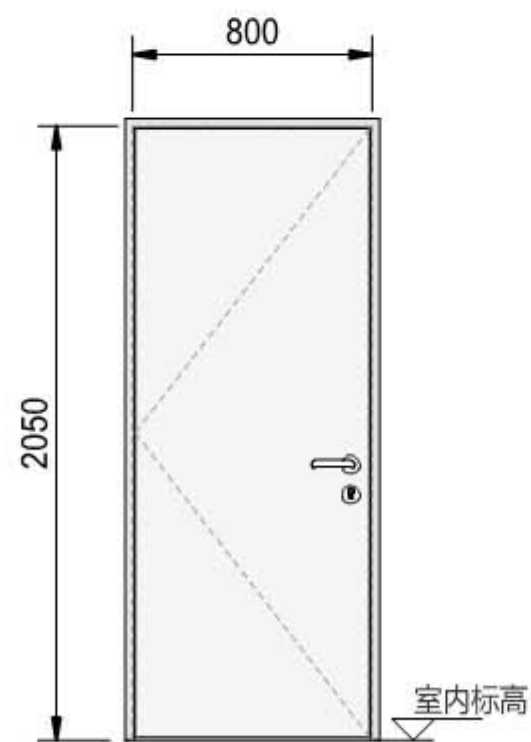


W0815

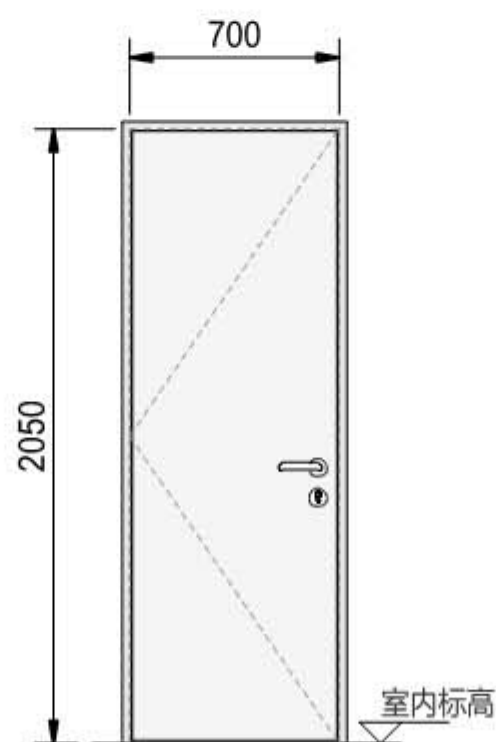
DESTOCKAGE NC



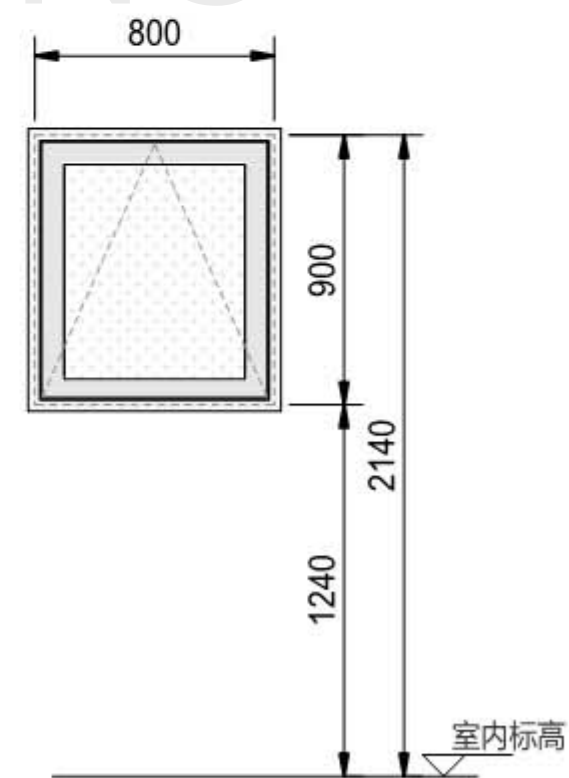
W0609



D0821



D0721



W0809